



CLEANING

CONDENSER CLEANING

Clean the condenser area every three to six months. The cleaning schedule will depend on the amount of dust and lint that accumulates in this area.

To access the condenser on your specific Wine Storage model, see Condenser Location. Use a soft bristle brush and vacuum hose to remove dust and lint from the condenser area. **NOTE:** To avoid bending the condenser fins, be sure to vacuum in the direction of the fins (up and down).

⚠ CAUTION

Before cleaning the condenser, shut the electricity off at the control panel. When you clean the condenser, wear gloves to avoid injury from the sharp condenser fins.

⚠ CAUTION

Failure to clean the condenser could result in temperature loss or mechanical failure or damage.

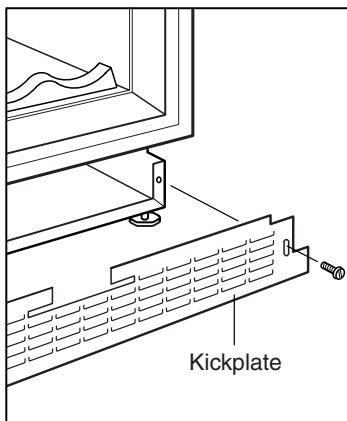
CONDENSER LOCATION

Models 424 and 424FS: On these models the condenser is located behind the kickplate. First, remove the kickplate to expose the condenser area. Refer to the illustration below.

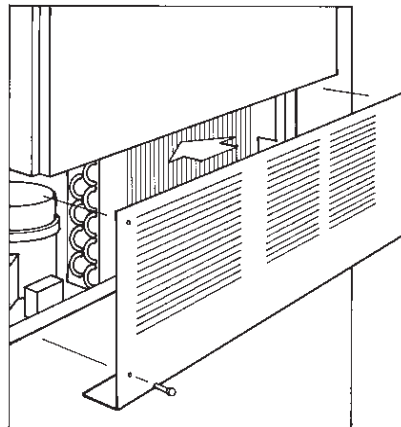
Models 427 and 427R: On these models the condenser is located behind the kickplate/grille. Remove the screws holding the kickplate/grille. This assembly will slide forward easily, giving you access to the condenser area. Refer to the illustration below.

Model 430: The condenser is located behind the grille at the top of the unit. To remove the louvered grille, first open the door to access three Phillips head screws. Remove the three grille screws. Tilt the grille forward at the top and release the springs from behind the grille, and then lift off the grille. Refer to the illustration below.

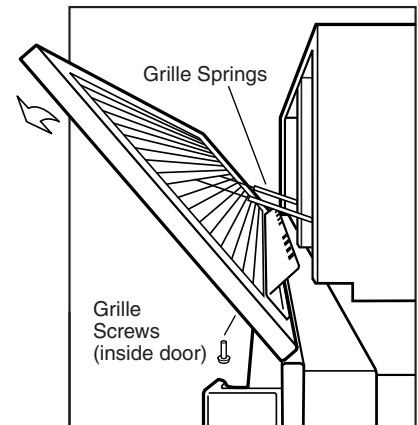
To remove a panel grille on Model 430, lift the grille up, then pull out at the bottom and down to release it from its mounting bracket.



Condenser location – Models 424 and 424FS



Condenser location – Models 427 and 427R



Condenser location – Model 430