



CLEANING

CONDENSER CLEANING

Clean the condenser area every three to six months. The cleaning schedule will depend on the amount of dust and lint that accumulates in this area.

The condenser is located behind the kickplate. Remove the kickplate to expose the condenser area. Refer to the illustration below. Use a soft bristle brush and vacuum hose to remove dust and lint from the condenser area. To avoid bending the condenser fins, be sure to vacuum in the direction of the fins (up and down).

⚠ CAUTION

Before cleaning the condenser, shut the electricity off at the control panel. When you clean the condenser, wear gloves to avoid injury from the sharp condenser fins.

⚠ CAUTION

Failure to clean the condenser could result in temperature loss or mechanical failure or damage.

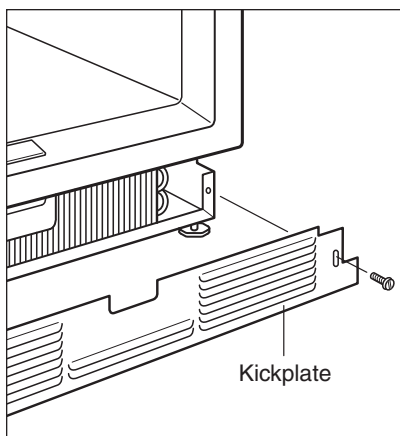
LIGHTING INFORMATION

Model UC-24B has rope-style lighting mounted to the top interior of the cabinet that cascades down the sides of the unit.

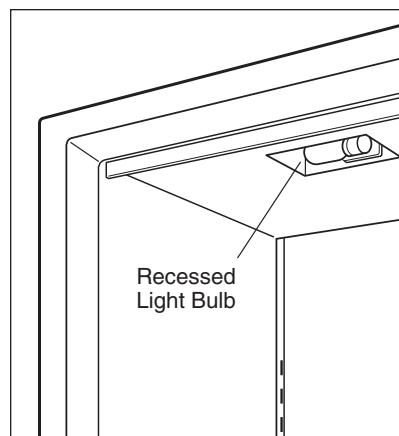
All Undercounter models have a recessed light bulb in the ceiling of the unit. To change the bulb, remove the 25-watt bulb by unscrewing it from the socket. Install a new 25-watt bulb. Refer to the illustration below.

⚠ WARNING

Shut off power to the unit before replacing the light bulb. Wear protective gloves when handling bulbs.



Condenser location



Light bulb location